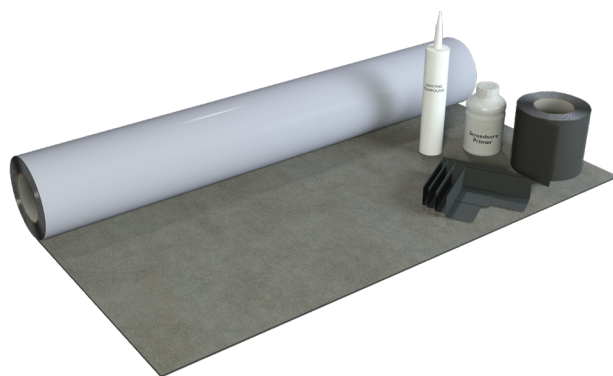
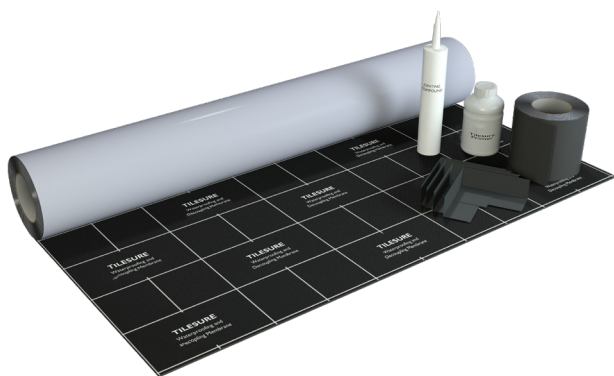




NOVELLINI TILESURE / SCREEDSURE KIT

INSTALLATION GUIDE



1a. USES - TILESURE

Tilesure is a heavy duty self-adhesive waterproofing and decoupling membrane designed for use on both timber and solid floors.

Developed specifically for use in bathrooms, wetrooms and similar wet areas, Tilesure is comprised of a 1.4mm butyl based membrane, with a copolymer top layer which provides an excellent surface for the adhesion of natural stone, porcelain and ceramic tiles.

Tilesure is quick and easy to apply, providing a consistent waterproof layer, guaranteed not to leak. Tilesure also acts as a decoupling membrane by uncoupling the floor tiles and accommodating movement in the substrate within a thickness of only 1.4mm. This omits the requirement for a traditional decoupling mat.

Tilesure also provides an effective barrier to the transition of water vapour.

1b. USES - SCREEDSURE

Screedsure is a heavy duty self-adhesive waterproofing membrane designed for use on only solid floors.

Developed specifically for use in bathrooms, wetrooms and similar wet areas, Screedsure is comprised of a 1.0mm butyl based membrane, with a copolymer top layer which provides an excellent surface for the adhesion of natural stone, porcelain and ceramic tiles.

Screedsure is quick and easy to apply, providing a consistent waterproof layer, guaranteed not to leak.

Screedsure also provides an effective barrier to the transition of water vapour.

2. ELEMENTS

5m² Novellini Tilesure / Screedsure Kit

- 5m x 1m roll of membrane
- 10m Reinforcing Tape
- 500ml Primer
- 290ml Jointing Compound
- 4 Pre-formed Internal Corners

10m² Novellini Tilesure / Screedsure Kit

- 10m x 1m roll of membrane
- 15m Reinforcing Tape
- 1L Primer
- 290ml Jointing Compound
- 4 Pre-formed Internal Corners

3. APPLICATION - A STEP BY STEP GUIDE

Please ensure that you read these instructions in full before commencing work. The complete system should be applied strictly in accordance with these instructions.

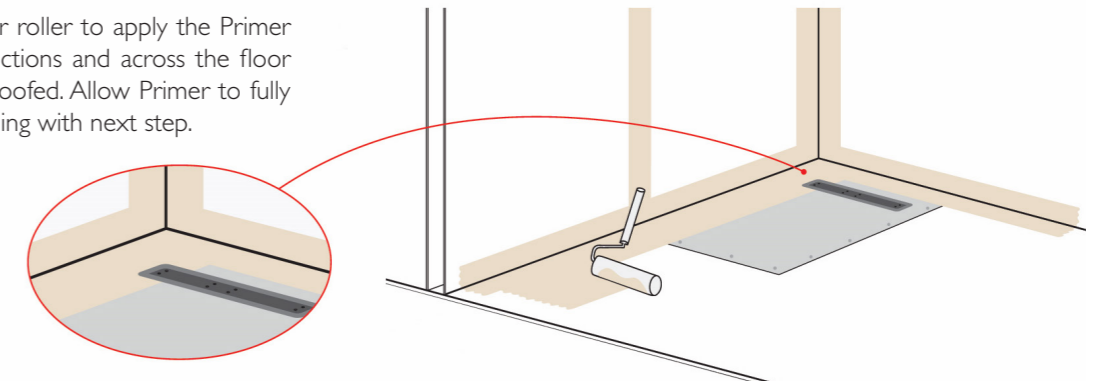
Surfaces must be smooth, solid and sound. Ensure all surfaces are clean, dry and free from dust, grease oil etc. and free from all contaminants. Oily or greasy surfaces should be cleaned with suitable proprietary cleaner and thoroughly rinsed and allowed to dry.

Ensure that both primer and membrane are compatible with any existing coatings. If in doubt please refer to the manufacturer.

Care should be taken to ensure the ambient room temperature is at least 5°C. Conditioning of the membrane in a warm area prior to use will enhance its adhesion properties during the application.

1 PRIME FLOOR

Use a pad, brush or roller to apply the Primer along wall-floor junctions and across the floor area to be waterproofed. Allow Primer to fully dry before proceeding with next step.

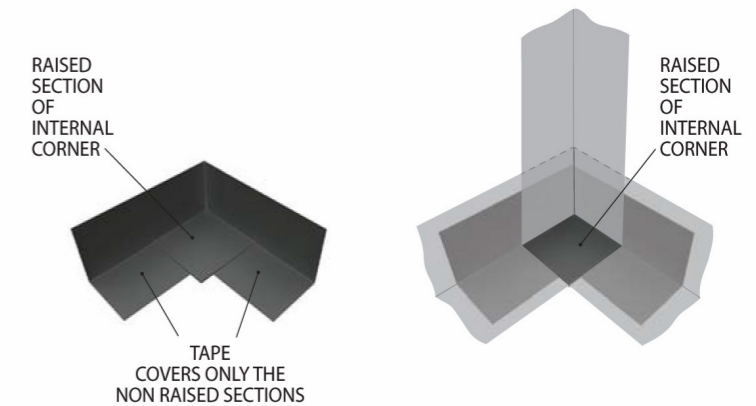


NB - TAKE CARE NOT TO APPLY PRIMER TO THE ABS PLASTIC DRAIN BODY

2 PRE-FORMED INTERNAL CORNER

Apply a small bead of the Jointing Compound to the back of the Pre-formed Corner and place into position, pressing firmly into place.

Before applying the Reinforcing Tape (see next section) ensure that it is cut square in order for it to butt up neatly to the tape stop (see diagram to the right)



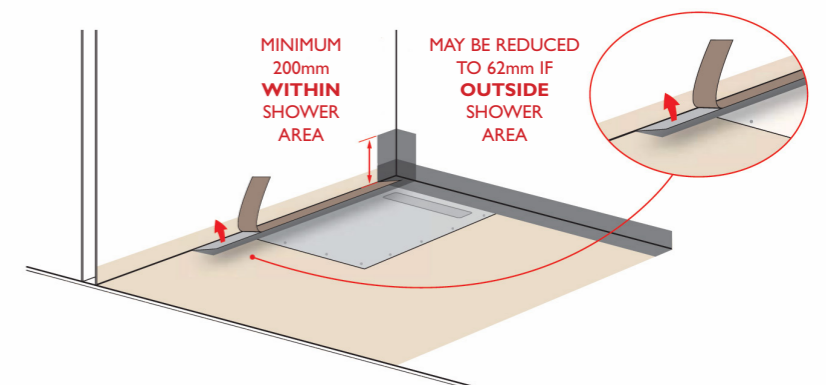
NOTE: The Reinforcing Tape should not be applied over the raised section of the Pre-formed Internal Corner.

NB - DO NOT APPLY PRIMER TO THE PREFORMED INTERNAL CORNER. CLEAN WITH ALCOHOL WIPE BEFORE APPLYING THE TAPE.

3 TAPE WALL-FLOOR JUNCTIONS

Apply Reinforcing Tape to all wall-floor junctions as follows:

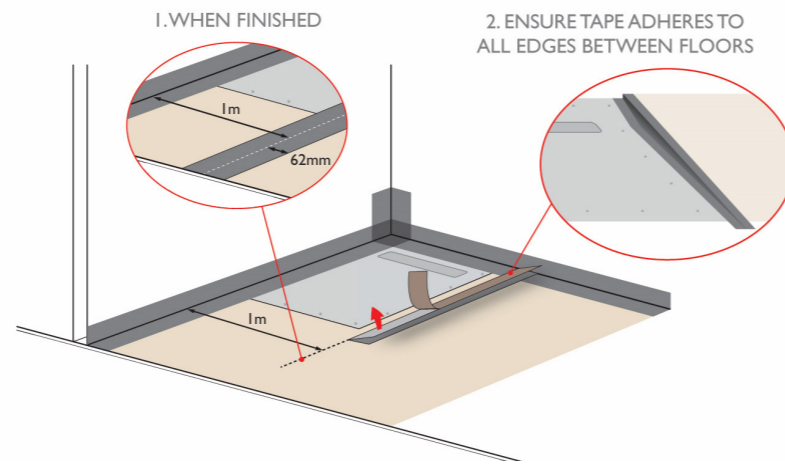
- Cut tape to required length
- Fold in half along the pre-scored line ensuring that the backing paper is visible on both sides. Offer up to the wall, with the fold towards the wall.
- Remove upper half of backing paper and stick to the wall.
- Lift up lower lip, remove backing paper and stick to the floor.
- Repeat this process until all wall-floor junctions have been taped.
- Apply a minimum 200mm strip of Reinforcing Tape (within the shower area) vertically to all the corner wall/wall junctions (full height when using with Novellini Wallsafe).



4 TAPE MEMBRANE JUNCTIONS

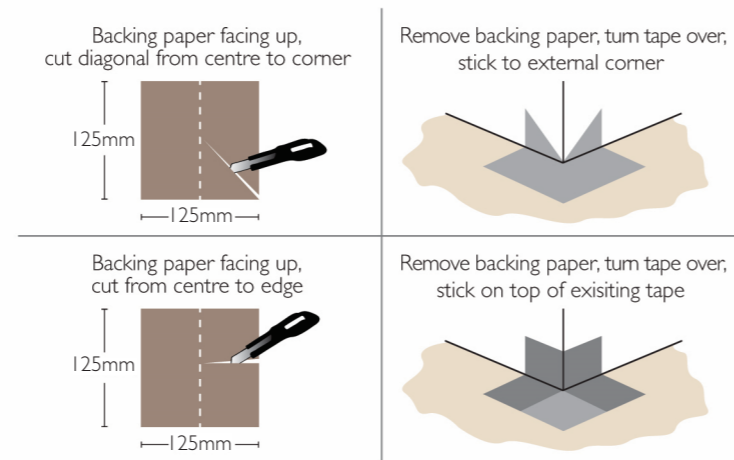
Ensure Reinforcing Tape is applied to the floor where membrane sections will meet.

- Measure width of the membrane (diagram shows membrane width of 1m)
- Cut Reinforcing Tape to the required length for the area being waterproofed (width of room, if whole room is to be waterproofed).
- Position Reinforcing Tape so that when overlaid, each section of membrane will overlap tape by 62mm (see 1. in diagram).
- Remove backing paper and stick tape down, ensuring tape adheres into corners at the side of the shower area (see 2. diagram).
- Repeat floor taping until all membrane junctions have been covered.



5 TAPE EXTERNAL CORNERS

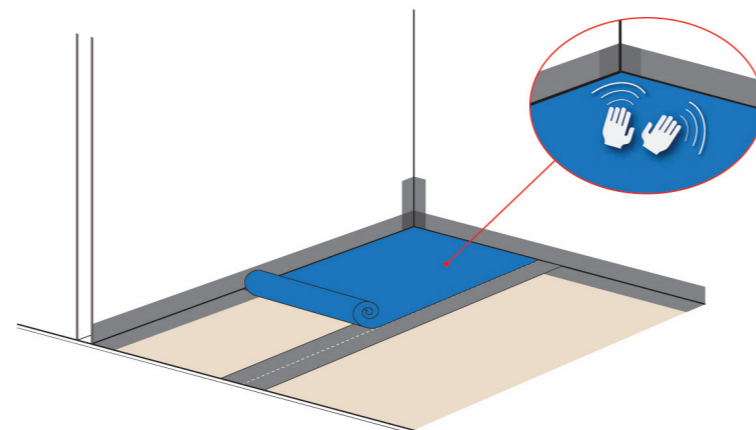
Use Reinforcing Tape to make up two sections to cover an external corner according to the steps in the diagram.



6 LAY FLOOR MEMBRANE

Lay membrane onto wetroom floor as follows:

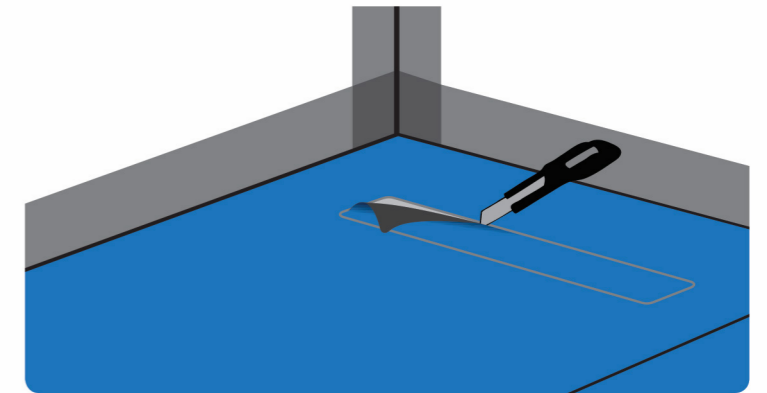
- Cut membrane to required length
- Wipe the surface of the Drain Body with alcohol wipe BEFORE applying the membrane
- Score and remove 150mm of backing paper from the end of membrane roll and turn over so backing faces floor.
- Position sticky edge of membrane into the corner and smooth out any air pockets.
- Roll up membrane into the corner
- Slowly un-roll membrane away from the wall, removing the backing paper as you go, sticking it to the floor and smoothing out any potential air bubbles.
- Repeat this process until the membrane covers the required area



7 LAY FLOOR MEMBRANE

To reveal the drain use a sharp knife to carefully cut around the INNER EDGE of the Drain Body, then remove the membrane from inner section of the Drain Body.

For the wall surfaces within the shower area we recommend the application of **NOVELLINI WALLSAFE**. For more details see separate instruction guide.

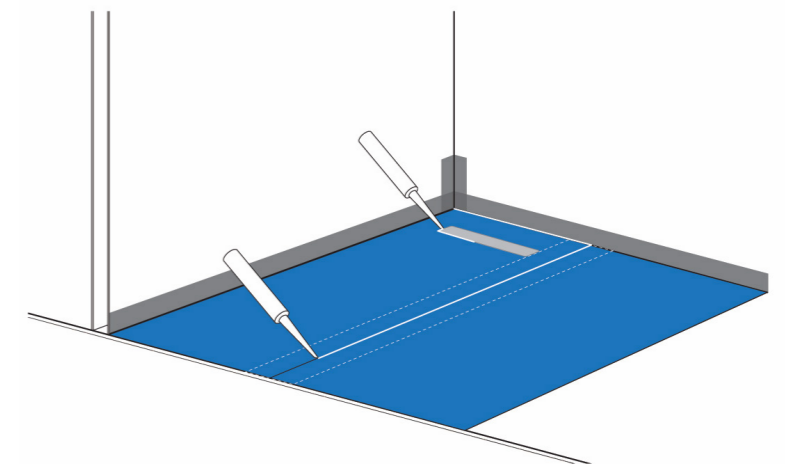


8 APPLY JOINTING COMPOUND

When all of the floor area has been covered with membrane, the floor is then ready for application of the Jointing Compound.

- Using an applicator gun, apply Jointing Compound to:
 - All butt joints (see diagram)
 - Pipe penetrations
 - Perimeter of drain (see diagram)
 - All wall to wall and wall to floor junctions

The waterproofing process is now complete and the floor is ready for tiling.



4. TECHNICAL DATA

NOVELLINI TILESURE PERFORMANCE & COMPOSITION

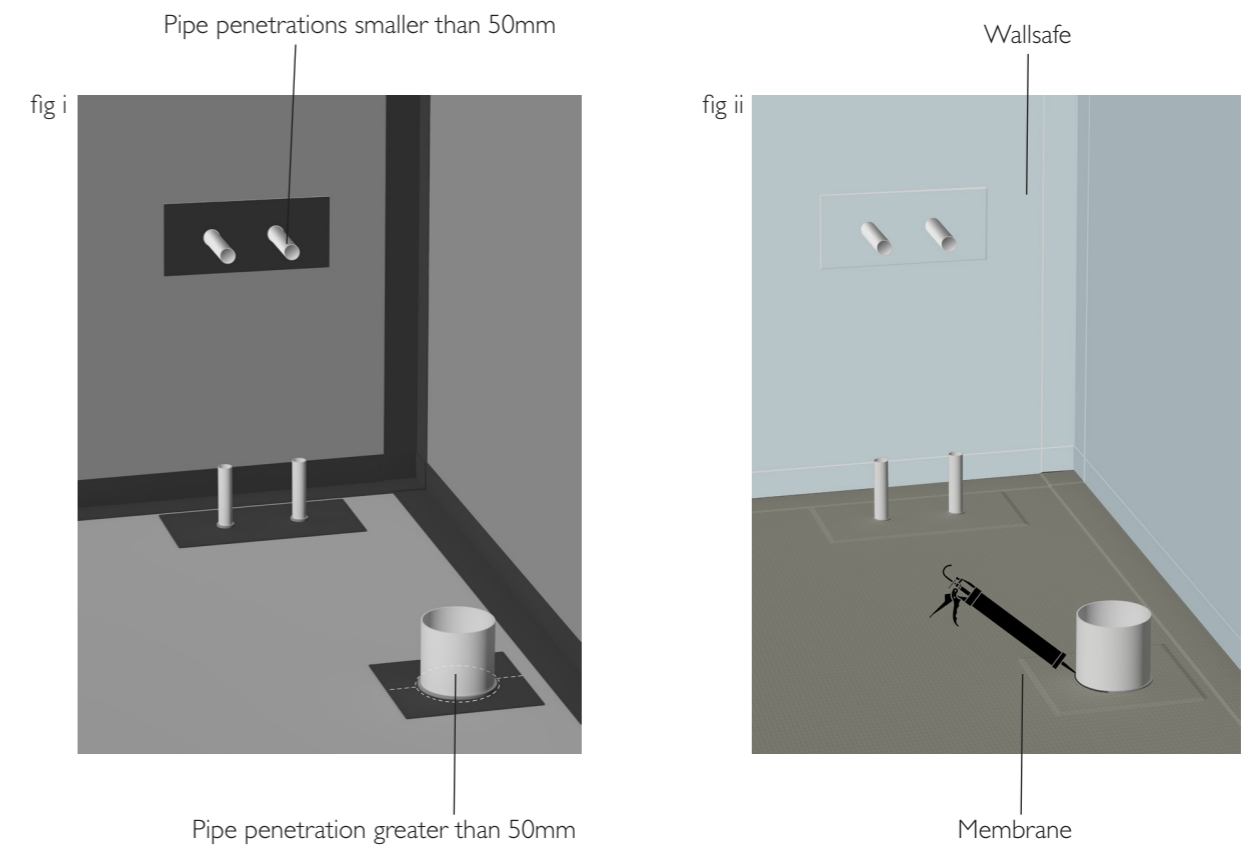
	TILESURE	SCREEDSURE
Membrane Thickness	1.4mm	1.0mm
Reinforcing Tape Thickness	1.0mm	1.0mm
Tile Adhesion Bond Strength	202.5N /50mm ²	202.5N /50mm ²
Water Vapour Transmission	0%	0%
Tensile Strength (EN 12311-2) - Longitudinal - Transversal	3,250N /50mm ² 3,250N /50mm ²	3,250N /50mm ² 3,250N /50mm ²
Anti-fracture & Decoupling (Tinius Olsen)	12mm	N/A
Elongation - Longitudinal - Transversal	≥ 22% ≥ 15%	≥ 22% ≥ 15%
Joint Strength (EN 12317-2)	21N /50mm	21N /50mm
Tear Resistance (EN 12310-1) - Longitudinal - Transversal	90N 65N	90N 65N
Loop Tack	≥ 33N	≥ 33N
Peel Adhesion 180° (bond to substrate)	≥ 55N /50mm	≥ 55N /50mm

Compatible with electric underfloor heating up to 150W per m²

Compatible with wet underfloor heating systems, provided the pipework does not come into direct contact with the membrane

5. PIPE PENETRATIONS / ENTRIES

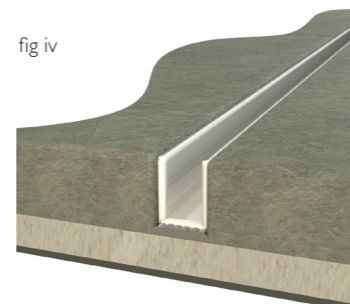
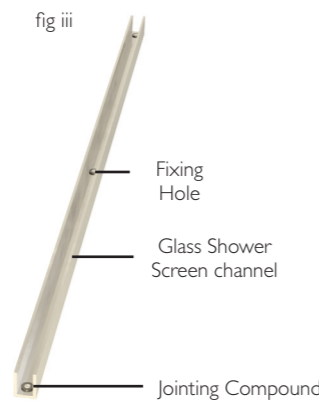
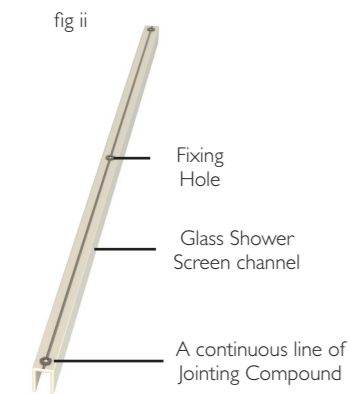
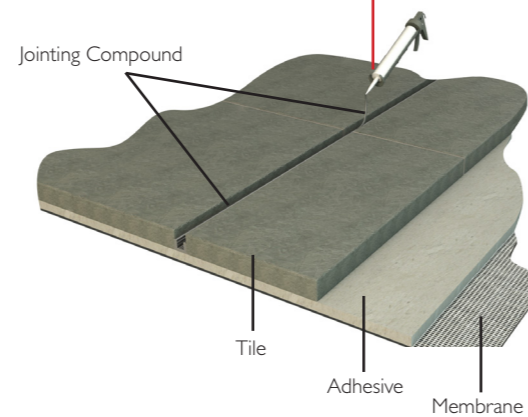
1. Pipe penetrations should be examined to ensure that the membrane will be fully supported.
2. Any voids around the pipe penetrations should be filled using appropriate filler and allowed to dry.
- 3a. For small pipe penetrations (smaller than 50mm) cut a hole in the Reinforcing Tape to suit the pipe size, remove release liner, then press down on the Reinforcing Tape to ensure it has fully adhered to the substrate (fig i).
- 3b. For large pipe penetrations (greater than 50mm) apply two pieces of Reinforcing Tape around the pipe, by carefully cutting the Reinforcing Tapes to suit the pipe entry size, remove release liner, then press down on the Reinforcing Tape to ensure it has fully adhered to the substrate (fig i).
4. When applying the membrane, cut holes in the membrane approximately 5mm - 10mm larger than the penetration (to assist with applying membrane over the pipe penetration), as per 3a or 3b. Apply the membrane over the Reinforcing Tape, removing the release liner as you go.
5. Apply Jointing Compound onto the Reinforcing Tape joints, around the pipe penetrations and on to the membrane to Reinforcing Tape joints (fig i).
6. Repeat the process of either 3a or 3b for pipe penetrations on the wall, then apply Wallsafe over the top of the Reinforcing Tape.



6a. INSTALLING A GLASS SCREEN ONTO MEMBRANE

Concrete Floor

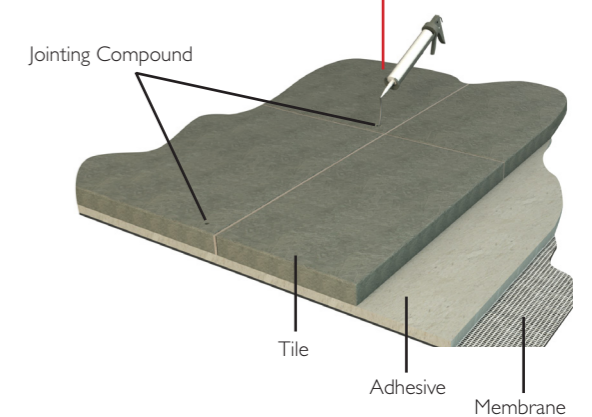
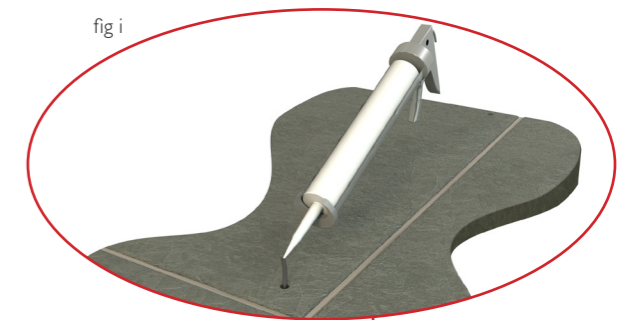
1. Place glass shower screen channel into position and mark the fixing points.
2. Remove the glass shower screen channel, drill the marked fixing points and apply a small amount of Jointing Compound directly into the hole (fig i).
3. Insert appropriate fixings and apply another small amount of Jointing Compound on top of the plug.
4. Apply a continuous line of Jointing Compound to the underside of the glass shower screen channel (fig ii).
5. Align glass shower screen channel and fix into position using appropriate fixings.
6. Apply a suitable amount of Jointing Compound around and on top of all fixings (fig iii).
7. Finished view of glass shower screen once installed (fig iv).



6b. INSTALLING A GLASS SCREEN ONTO TILES

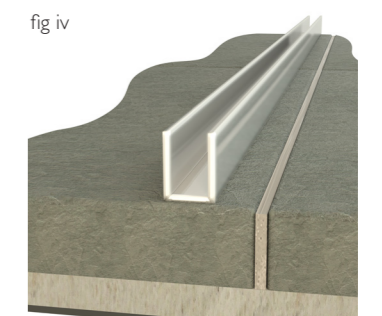
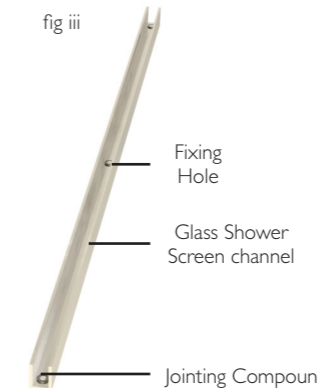
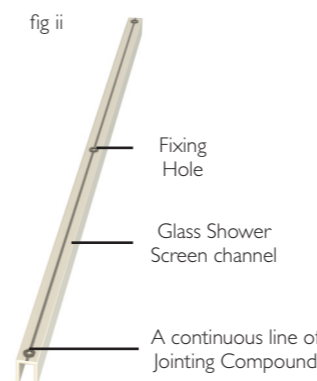
Concrete Floor

1. Place glass shower screen channel into position and mark the fixing points
2. Remove glass shower screen channel, drill the marked fixing points to the required depth and apply a small amount of Jointing Compound directly into the hole (fig i).
3. Insert appropriate fixings and apply another small amount of Jointing compound on top of the fixings.
4. Apply a continuous line of Jointing Compound to the underside of glass shower screen channel (fig ii)
5. Align glass shower screen channel and fix into position using appropriate fixings.
6. Apply a suitable amount of Jointing Compound around and on top of all fixings (fig iii)
7. Finished view of glass shower screen once installed (fig iv).



Timber Floor

1. Place glass shower screen channel into position and mark fixing points, then remove.
2. Using the appropriate drill bit carefully drill through the thickness of the tile taking care not to pierce the membrane.
3. Apply Jointing Compound into the hole (fig i).
4. Apply a continuous line of Jointing Compound to the underside of the glass shower screen channel (fig ii).
5. Align glass shower screen channel & fix into position using appropriate fixings.
6. Apply Jointing Compound around and on top of all fixings (fig iii).
7. Finished view of glass shower screen once installed (fig iv).



7. WETROOM WATERPROOFING SPECIFICATION

Tilesure / Screedsure Waterproofing Membrane - Entire Bathroom

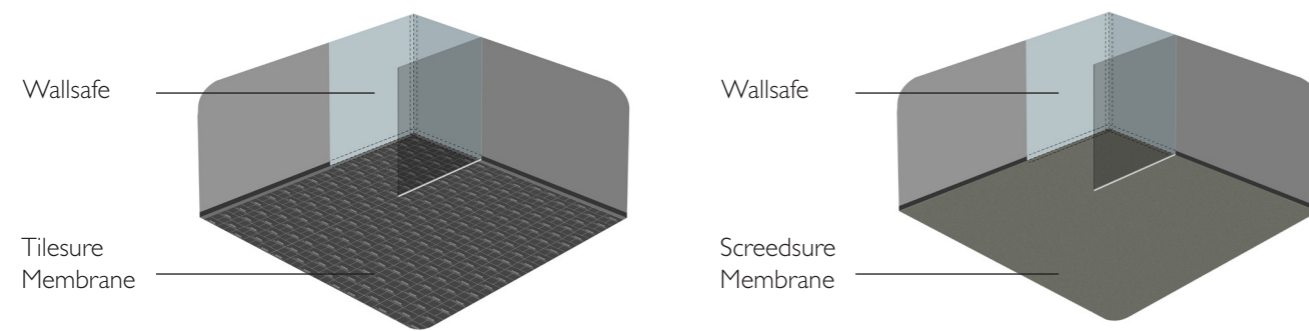
Novellini Tilesure / Screedsure Membrane to be applied to the entire bathroom floor area.

Reinforcing Tape to be applied to all wall junctions, soap niches and other such detail within the shower area.

Novellini Wallsafe to be applied to the walls within the shower area only, to a minimum height of 2200mm and overlapping the Reinforcing Tape.

All pipe penetrations to be sealed with Jointing Compound.

For steam rooms Wallsafe should be applied to all the walls.



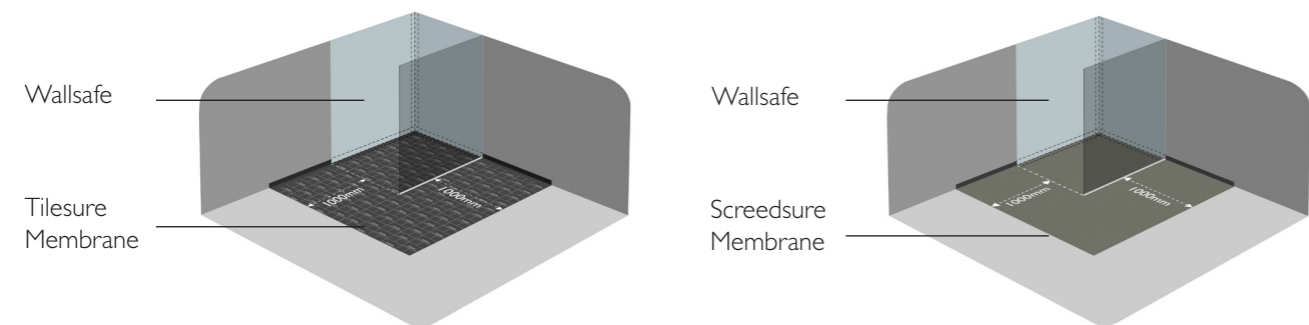
Tilesure / Screedsure Waterproofing Membrane - Shower area + 1 Metre

Novellini Tilesure / Screedsure Membrane to be applied to the shower floor area, plus a minimum of 1 metre outside the shower area in all directions.

Reinforcing Tape to be applied to all wall junctions, soap niches and other such detail within the shower area.

Novellini Wallsafe to be applied to the walls within the shower area only, to a minimum height of 2200mm and overlapping the Reinforcing Tape.

All pipe penetrations to be sealed with Jointing Compound.



Please Note (Tilesure Only)

Decoupling will only be effective when Tilesure is applied to the entire bathroom floor area.

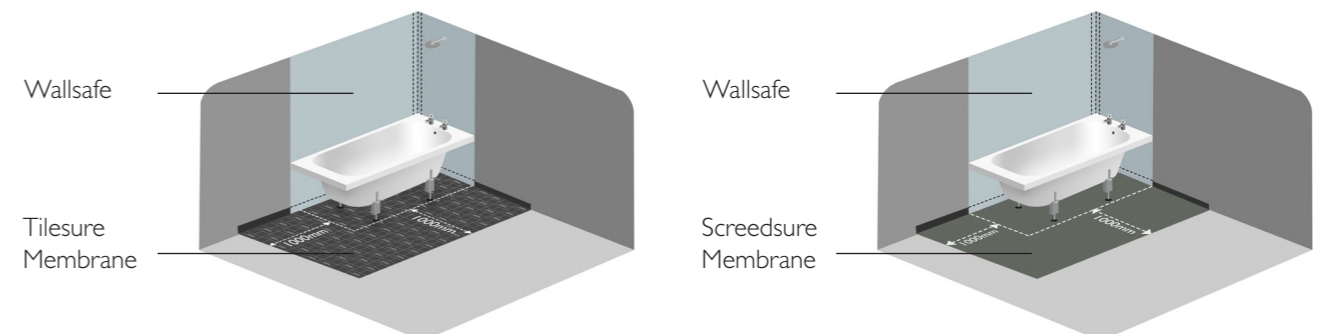
8. OVER BATH SPECIFICATION

Novellini Tilesure / Screedsure is to be applied to the floor area under the bath, plus a minimum of one metre outside the bath in all directions.

Reinforcing Tape is to be applied to all wall junctions, soap niches etc within the bath area and overlapping onto the Reinforcing Tape.

Novellini Wallsafe is to be applied to the walls within the bath area, to a minimum height of 2200mm and down to the floor, overlapping the Reinforcing Tape.

All pipe penetrations to be sealed with Jointing Compound.



Please Note (Tilesure Only)

Decoupling will only be effective when Tilesure is applied to the entire bathroom floor area.



UK Head Office
Novellini UK Ltd
Unit 11
Caxton Court
Porters Wood
St Albans
Hertfordshire
AL3 6XT

Telephone: 01727 229922
Fax: 01727 838232

info-uk@novellini.com
www.novellini.com